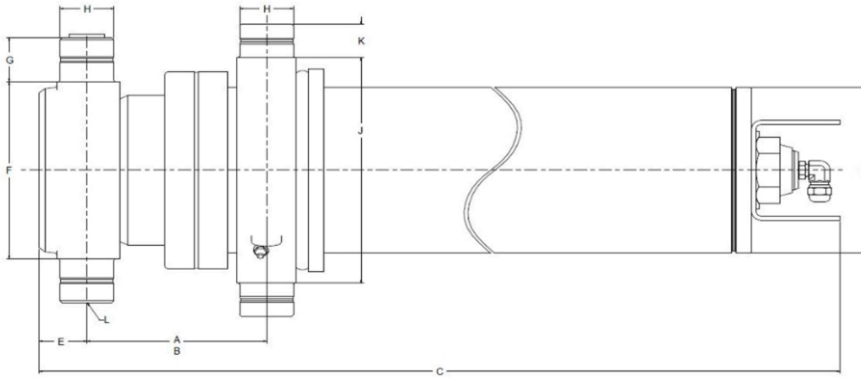


Technical information

Dimensions

Imperial

Metric



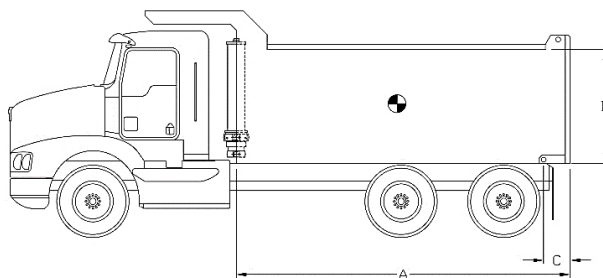
A (stroke)	110,00 in	2 794 mm
B (closed)	6,25 in	159 mm
C	58,75 in	1 492 mm
D	6,63 in	168 mm
E	2,00 in	51 mm
F	7,00 in	178 mm
G	2,00 in	51 mm
H	1,87 in	48 mm
J	9,00 in	229 mm
K	1,25 in	32 mm
L	SAE-12	

Stage	Effective diameter		Effective area		Stroke	
1	5,250 in	133 mm	21,65 in ²	13 966 mm ²	42,44 in	1 078 mm
2	4,500 in	114 mm	15,90 in ²	10 261 mm ²	42,69 in	1 084 mm
3	3,750 in	95 mm	11,04 in ²	7 126 mm ²	24,88 in	632 mm

Specifications	Imperial	Metric
Weight without hydraulic fluid	332 lb	151 kg
Hydraulic fluid volume	8,1 gal. (US)	31 l
Maximum working pressure	2 500 psi	172 bar
Maximum pump flow ext. (retract.)	40 gpm (7 gpm)	151 lpm (26 lpm)
Cylinder design limit capacity*	29,6 US tons	26 853 kg

Installation components	Model	Part no.
Block	B-1875	PB3005002-A
Frame	AC-4030	PF3000013
Hinge	P-200 PEL-T	PP3004010

Cylinder capacity



A = Body Length
B = Body height
C = Overhang

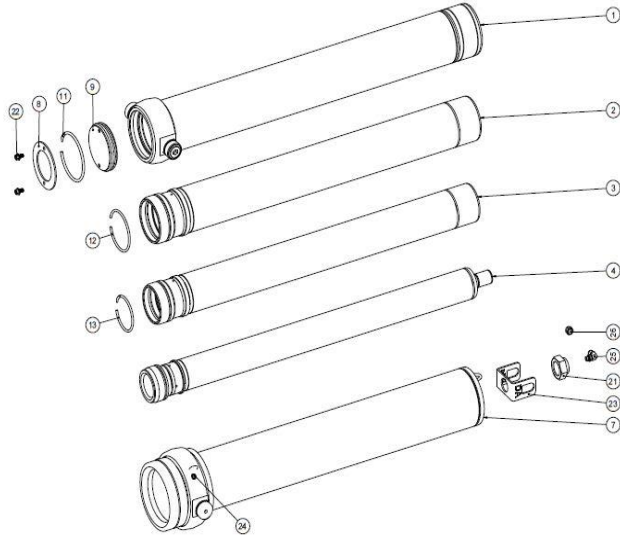
Note:	Body length	11,5 ft		12,0 ft		13,0 ft	
Cylinder capacities based on 90% of the maximum working pressure.	Overhang	0 in	6 in	6 in	12 in	12 in	18 in
	Dump angle	47,2°	49,5°	47,2°	49,5°	45,1°	47,2°
	Body height	Capacities for different box length configuration in US tons at 2000 psi (at 2500 psi)					
For reference only. See www.mailhotindustries.com	36 in	28,7 (35,8)	31,8 (39,7)	30,3 (37,9)	33,8 (42,3)	30,7 (38,4)	34,2 (42,7)
	48 in	31,1 (38,9)	35,1 (43,9)	33,0 (41,3)	37,6 (47,0)	33,3 (41,6)	37,7 (47,1)
	60 in	34,0 (42,5)	39,2 (49,0)	36,3 (45,3)	42,4 (53,0)	36,3 (45,4)	42,0 (52,5)

* See product manual

Subject to change without notice, all rights reserved.

REV 2A

Item	Part no.	Description
1	ROVD059026-A	BASE TUBE
2	RMGD050172-A	SECTION Ø5
3	RMGD042171-A	SECTION Ø4-1/4
4	RNV032077-A	LAST SECTION Ø3-1/4
7	RK066151-A	COVER TUBE ASSEMBLED
8	RFG053006	END CAP Ø5-3/8
9	RFG053007	END CAP Ø5-3/8

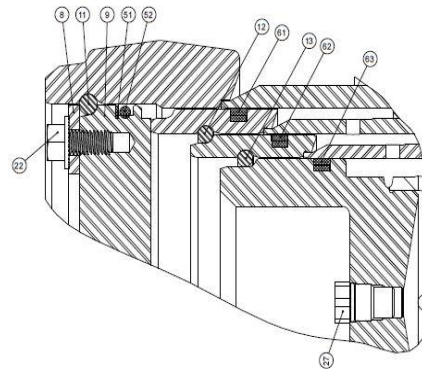


Snap ring kit Part no. : XB19G0503

Item	Description
11	SNAP RING Ø5-3/8
12	SNAP RING Ø4-1/2
13	SNAP RING Ø3-3/4

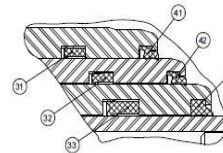
Hardware kit Part no. : ZX02G0503D

Item	Description
21	STOVER NUT 1-3/4-12 UN GRADE C
22	SERRATED FLANGE HSS GRADE 5 3/8-16 UNC X 3/4 LG
23	PROTECTOR
24	GREASE FITTING STRAIGHT 1/8 NPT
25	ELBOW ADAPTER 90° ORB TO 37° FLARE
26	CAP NUT 37° FLARE Ø3/4-16
27	RELIEF VALVE PRESET 3200 PSI (3000-3500 PSI)



Seal kit Part no. : UI47G0503D

Item	Description
31	UCUP DZ Ø5-3/8 X Ø5 X 3/8
32	UCUP DZ Ø4-5/8 X Ø4-1/4 X 3/8
33	UCUP DZ Ø3-5/8 X Ø3-1/4 X 3/8
41	WIPER DT Ø5
42	WIPER DT Ø4-1/4
43	WIPER DT Ø3-1/4
51	BACKUP RING Ø5-3/8 X Ø5
52	O-RING Ø5-3/8 X Ø5
61	PISTON RING Ø5-1/4
62	PISTON RING Ø4-1/2
63	PISTON RING Ø3-3/4



* See product manual

Subject to change without notice, all rights reserved.

REV 2A