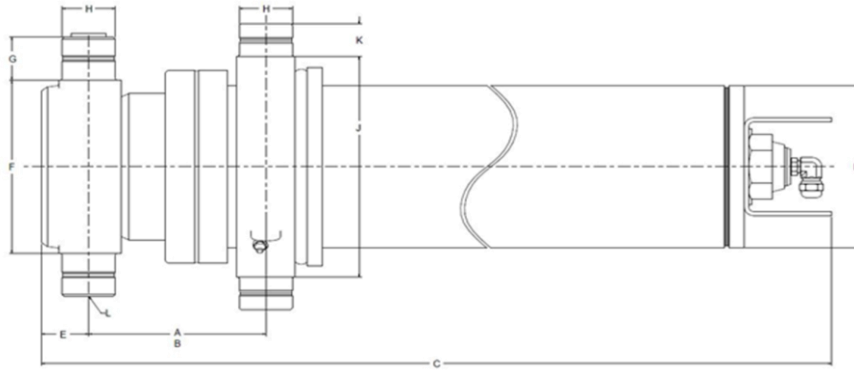


Technical information



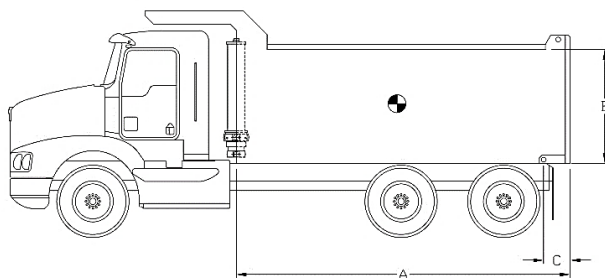
Dimensions	Imperial	Metric
A (stroke)	128,19 in	3 256 mm
B (closed)	6,25 in	159 mm
C	58,75 in	1 492 mm
D	6,63 in	168 mm
E	2,00 in	51 mm
F	7,00 in	178 mm
G	2,00 in	51 mm
H	1,88 in	48 mm
J	9,00 in	229 mm
K	1,25 in	32 mm
L	SAE-12	

Stage	Effective diameter		Effective area		Stroke	
1	5,250 in	133 mm	21,65 in ²	13 966 mm ²	42,44 in	1 078 mm
2	4,500 in	114 mm	15,90 in ²	10 261 mm ²	42,69 in	1 084 mm
3	3,750 in	95 mm	11,04 in ²	7 126 mm ²	43,06 in	1 094 mm

Specifications	Imperial	Metric
Weight without hydraulic fluid	334 lb	152 kg
Hydraulic fluid volume	10,3 gal. (US)	39 l
Maximum working pressure	2 500 psi	172 bar
Maximum pump flow ext. (retract)	40 gpm (7 gpm)	151 lpm (26 lpm)
Cylinder design limit capacity*	29,6 US tons	26 853 kg

Installation components	Model	Part no.
Block	B-1875	PB3005002-A
Frame	AC-4030	PF3000013
Hinge	P-200 PEL-T	PP3004010

Cylinder capacity



A = Body Length
 B = Body height
 C = Overhang

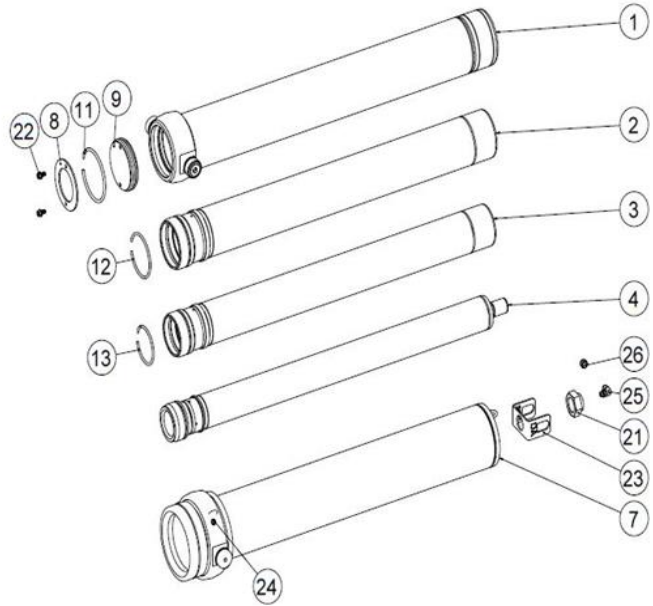
Note:	Body length	13,0 ft		14,0 ft		15,0 ft	
Cylinder capacities based on 90% of the maximum working pressure.	Overhang	0 in	6 in	6 in	12 in	12 in	18 in
	Dump angle	48,7°	50,8°	46,8°	48,7°	45,0°	46,8°
	Body height	Capacities for different box lenght configuration in US tons at 2000 psi (at 2500 psi)					
For reference only. See www.mailhotindustries.com	36 in	26,1 (32,6)	28,1 (35,2)	26,6 (33,3)	28,7 (35,8)	27,2 (34,0)	29,2 (36,5)
	48 in	27,6 (34,5)	30,1 (37,6)	28,1 (35,1)	30,5 (38,2)	28,6 (35,8)	31,0 (38,8)
	60 in	29,3 (36,7)	32,3 (40,4)	29,8 (37,2)	32,6 (40,8)	30,2 (37,8)	33,0 (41,3)

* See product manual

Subject to change without notice, all rights reserved.

Item	Part no.	Description
------	----------	-------------

1	ROVD059026-A	BASE TUBE Ø5.9
2	RMGD050172-A	SECTION Ø5
3	RMGD042171-A	SECTION Ø4-1/4
4	RNVD032042-A	LAST SECTION Ø3-1/4
7	RK066151-A	COVER TUBE ASSEMBLY
8	RFG053006	END CAP Ø5-3/8
9	RFG053007	END CAP Ø5-3/8



Snap ring kit Part no. : XB19G0503

Item	Description
------	-------------

11	SNAP RING Ø5-3/8
12	SNAP RING Ø4-1/2
13	SNAP RING Ø3-3/4

Hardware kit Part no. : ZX02G0503D

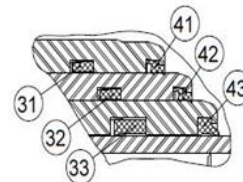
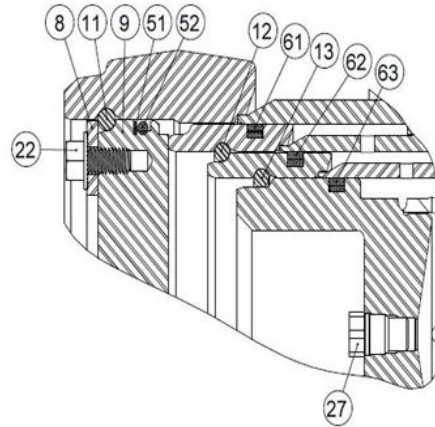
Item	Description
------	-------------

21	STOVER NUT Ø1-3/4-12 NF GRADE C
22	SERRATED FLANGE HSS GRADE 5 3/8-16 UNC X 3/4 LG
23	PROTECTOR
24	GREASE FITTING STRAIGHT 1/8 NPT
25	ELBOW ADAPTER 90° SAE ORB TO 37° FLARE
26	CAP NUT SAE 37° FLARE Ø3/4-16
27	RELIEF VALVE PRESET 3200 PSI (3000-3500 PSI)

Seal kit Part no. : UI47G0503D

Item	Description
------	-------------

31	U-CUP Ø5-3/8 X Ø5 X 3/8
32	U-CUP Ø4-5/8 X Ø4-1/4 X 3/8
33	U-CUP Ø3-7/8 X Ø3-1/2 X 3/8
41	WIPER Ø5
42	WIPER Ø4-1/4
43	WIPER Ø3-1/2
51	BACKUP RING Ø5-3/8 X Ø5
52	O-RING Ø5-3/8 X Ø5
61	PISTON RING Ø5-1/4
62	PISTON RING Ø4-1/2
63	PISTON RING Ø3-3/4



* See product manual

Subject to change without notice, all rights reserved.

REV 4B