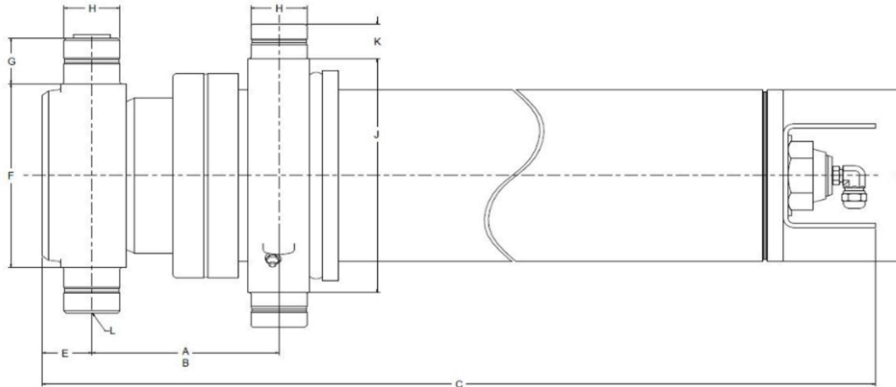


**Technical information** **Dimensions** **Imperial** **Metric**



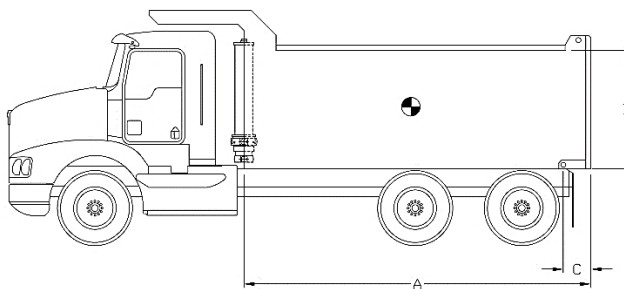
Dimensions	Imperial	Metric
A (stroke)	140,00 in	3 556 mm
B (closed)	7,50 in	191 mm
C	59,50 in	1 511 mm
D	7,50 in	191 mm
E	2,00 in	51 mm
F	8,00 in	203 mm
G	2,00 in	51 mm
H	2,25 in	57 mm
J	10,18 in	259 mm
K	1,50 in	38 mm
L	SAE-16	

Stage	Effective diameter		Effective area		Stroke	
1	6,060 in	154 mm	28,84 in <sup>2</sup>	18 608 mm <sup>2</sup>	42,25 in	1 073 mm
2	5,250 in	133 mm	21,65 in <sup>2</sup>	13 966 mm <sup>2</sup>	42,43 in	1 078 mm
3	4,500 in	114 mm	15,90 in <sup>2</sup>	10 261 mm <sup>2</sup>	42,68 in	1 084 mm
4	3,750 in	95 mm	11,04 in <sup>2</sup>	7 126 mm <sup>2</sup>	12,63 in	321 mm

Specifications	Imperial	Metric
Weight without hydraulic fluid	453 lb	206 kg
Hydraulic fluid volume	14,6 gal. (US)	55 l
Maximum working pressure	2 500 psi	172 bar
Maximum pump flow ext. (retract.)	40 gpm (7 gpm)	151 lpm (26 lpm)
Cylinder design limit capacity*	29,6 US tons	26 853 kg

Installation components	Model	Part no.
Block	B-2250	PB3005003-A
Frame	AC-4040	PF3000013
Hinge	P-200 PEL-T	PP3004010

**Cylinder capacity**



A = Body Length  
 B = Body height  
 C = Overhang

Note:	Body length	15,0 ft		16,0 ft		17,0 ft	
Cylinder capacities based on 90% of the maximum working pressure.	Overhang	0 in	6 in	6 in	12 in	12 in	18 in
	Dump angle	46,0°	47,7°	44,4°	46,0°	42,9°	44,4°
	Body height	Capacities for different box length configuration in US tons at 2000 psi (at 2500 psi)					
For reference only. See www.mailhotindustries.com	36 in	30,0 (37,5)	32,5 (40,7)	30,2 (37,7)	32,6 (40,8)	30,4 (38,0)	32,8 (41,0)
	48 in	32,3 (40,4)	35,5 (44,4)	32,4 (40,5)	35,4 (44,3)	32,5 (40,6)	35,4 (44,3)
	60 in	35,0 (43,8)	39,1 (48,9)	34,9 (43,6)	38,7 (48,4)	34,9 (43,6)	38,5 (48,1)

\* See product manual

Subject to change without notice, all rights reserved.

Item	Part no.	Description
------	----------	-------------

1	ROVD061018-A	BASE TUBE Ø6.7
2	RMGD057173-A	SECTION Ø5,7
3	RMGD050172-A	SECTION Ø5
4	RMGD042171-A	SECTION Ø4-1/4
5	RNVD032080-A	LAST SECTION Ø3-1/4
7	RK075150-A	COVER TUBE ASSEMBLY
8	RFG062008	END CAP Ø6-1/4
9	RFG062009	END CAP Ø6-1/4

Snap ring kit Part no. : XB19G0574

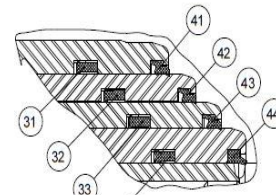
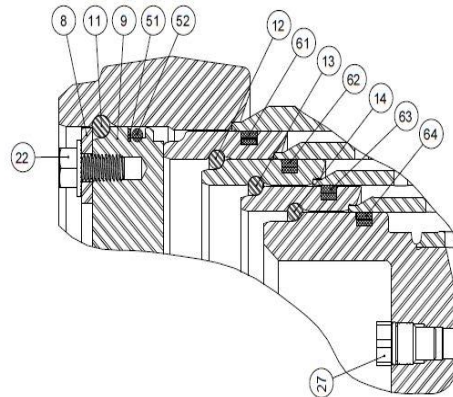
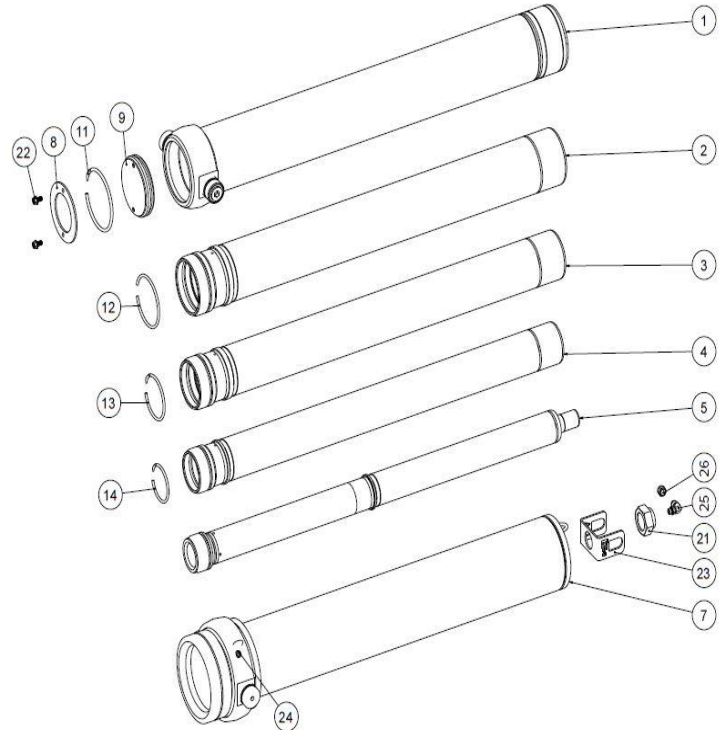
Item	Description
11	SNAP RING Ø6-3/16
12	SNAP RING Ø5-1/4
13	SNAP RING Ø4-1/2
14	SNAP RING Ø3-3/4

Hardware kit Part no. : ZX02G0574D

Item	Description
21	STOVER NUT 1-3/4-12 UNF GRADE C
22	SERRATED FLANGE HSS GRADE 5 3/8-16 UNC X 3/4 LG
23	PROTECTOR
24	GREASE FITTING STRAIGHT 1/8 NPT
25	ELBOW ADAPTER 90° SAE ORB TO 37° FLARE
26	CAP NUT SAE 37° FLARE Ø3/4-16
27	RELIEF VALVE PRESET 3200 PSI (3000-3500 PSI)

Seal kit Part no. : UI47G0574D

Item	Description
31	UCUP Ø6.170 X Ø5.795 X 3/8
32	UCUP Ø5-3/8 X Ø5 X 3/8
33	UCUP Ø4-5/8 X Ø4-1/4 X 3/8
34	UCUP Ø3-5/8 X Ø3-1/4 X 3/8
41	WIPER Ø5.795
42	WIPER Ø5
43	WIPER Ø4-1/4
44	WIPER Ø3-1/4
51	BACKUP RING Ø5-3/4 X Ø6-1/8
52	ORING Ø5-3/4 X Ø6-1/8
61	PISTON RING Ø6-1/16
62	PISTON RING Ø5-1/4
63	PISTON RING Ø4-1/2
64	PISTON RING Ø3-3/4



\* See product manual

Subject to change without notice, all rights reserved.