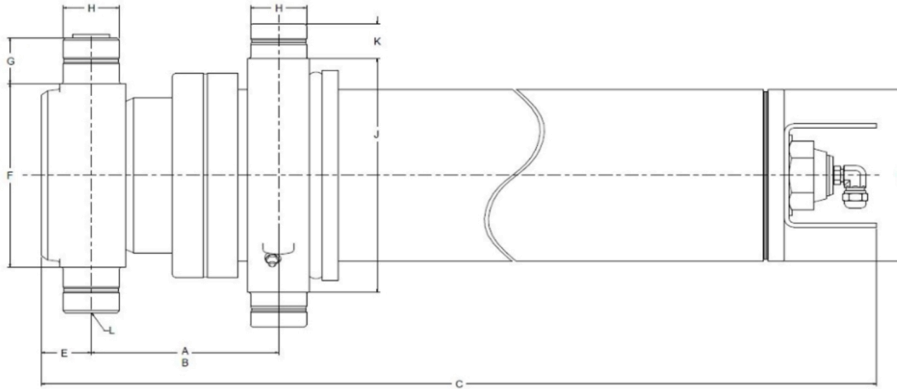


**Technical information** **Dimensions** **Imperial** **Metric**



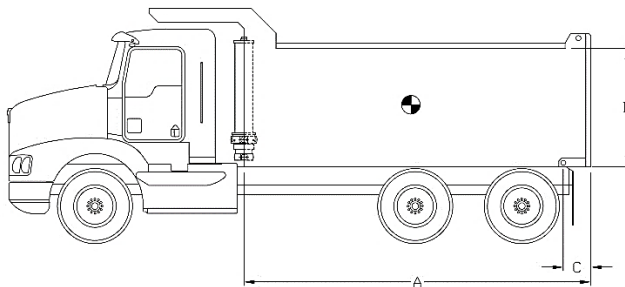
| Dimensions | Imperial  | Metric   |
|------------|-----------|----------|
| A (stroke) | 149.38 in | 3 794 mm |
| B (closed) | 7.50 in   | 191 mm   |
| C          | 59.50 in  | 1 511 mm |
| D          | 7.50 in   | 191 mm   |
| E          | 2.00 in   | 51 mm    |
| F          | 8.00 in   | 203 mm   |
| G          | 2.00 in   | 51 mm    |
| H          | 2.25 in   | 57 mm    |
| J          | 10.19 in  | 259 mm   |
| K          | 1.50 in   | 38 mm    |
| L          | SAE-16    |          |

| Stage | Effective diameter |        | Effective area        |                        | Stroke   |          |
|-------|--------------------|--------|-----------------------|------------------------|----------|----------|
| 1     | 6.063 in           | 154 mm | 28.87 in <sup>2</sup> | 18 627 mm <sup>2</sup> | 42.25 in | 1 073 mm |
| 2     | 5.250 in           | 133 mm | 21.65 in <sup>2</sup> | 13 966 mm <sup>2</sup> | 42.44 in | 1 078 mm |
| 3     | 4.500 in           | 114 mm | 15.90 in <sup>2</sup> | 10 261 mm <sup>2</sup> | 42.69 in | 1 084 mm |
| 4     | 3.750 in           | 95 mm  | 11.04 in <sup>2</sup> | 7 126 mm <sup>2</sup>  | 22.00 in | 559 mm   |

| Specifications                    | Imperial       | Metric           |
|-----------------------------------|----------------|------------------|
| Weight without hydraulic fluid    | 454 lb         | 206 kg           |
| Hydraulic fluid volume            | 14.6 gal. (US) | 55 l             |
| Maximum working pressure          | 2 500 psi      | 172 bar          |
| Maximum pump flow ext. (retract.) | 40 gpm (7 gpm) | 151 lpm (26 lpm) |
| Cylinder design limit capacity*   | 29.6 US tons   | 26 853 kg        |

| Installation components | Model       | Part no.    |
|-------------------------|-------------|-------------|
| Block                   | B-2250      | PB3005003-A |
| Frame                   | AC-4040     | PF3000014   |
| Hinge                   | P-200 PEL-T | PP3004010   |

**Cylinder capacity**



A = Body Length  
 B = Body height  
 C = Overhang

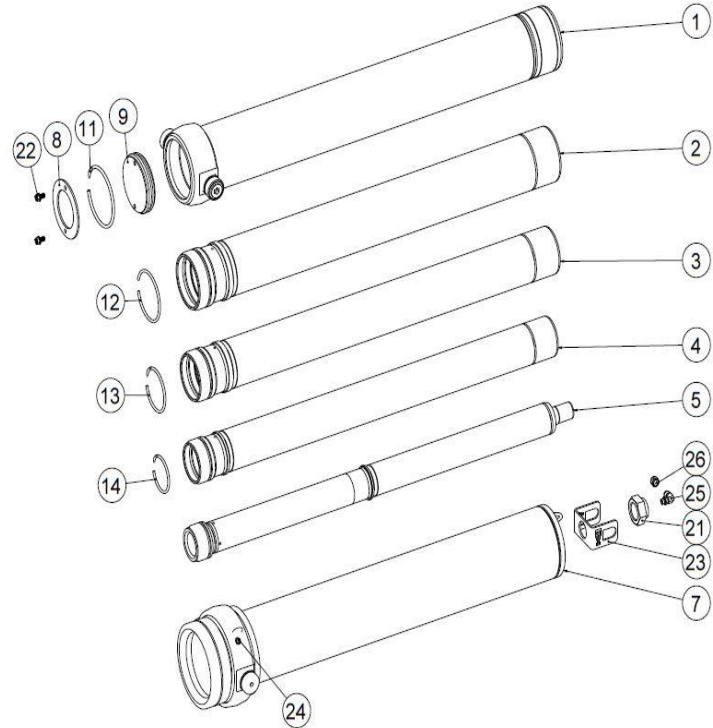
| Note:   | Body length | 15.0 ft  |             | 16.0 ft     |             | 17.0 ft     |             |
|---|-------------|--|-------------|-------------|-------------|-------------|-------------|
| Cylinder capacities based on 90% of the maximum working pressure. | Overhang    | 0 in   | 6 in        | 6 in        | 12 in       | 12 in       | 18 in       |
|   | Dump angle  | 49.3°  | 51.1°       | 47.6°       | 49.3°       | 46.0°       | 47.6°       |
|   | Body height | Capacities for different box length configuration in US tons at 2000 psi (at 2500 psi) |             |             |             |             |             |
| For reference only.<br>See www.mailhotindustries.com              | 36 in       | 30.0 (37.5)  | 32.5 (40.7) | 30.2 (37.7) | 32.6 (40.8) | 30.4 (38.0) | 32.8 (41.0) |
|   | 48 in       | 32.3 (40.4)  | 35.5 (44.4) | 32.4 (40.5) | 35.4 (44.3) | 32.5 (40.6) | 35.4 (44.3) |
|   | 60 in       | 35.0 (43.8)  | 39.1 (48.9) | 34.9 (43.6) | 38.7 (48.4) | 34.9 (43.6) | 38.5 (48.1) |

\* See product manual

Subject to change without notice, all rights reserved.

| Item | Part no. | Description |
|------|----------|-------------|
|------|----------|-------------|

|   |              |                     |
|---|--------------|---------------------|
| 1 | ROVD061018-A | BASE TUBE Ø6.7      |
| 2 | RMGD057173-A | SECTION Ø5.7        |
| 3 | RMGD050172-A | SECTION Ø5          |
| 4 | RMGD042171-A | SECTION Ø4.25       |
| 5 | RNVD032055-A | LAST SECTION Ø3.5   |
| 7 | RK075150-A   | COVER TUBE ASSEMBLY |
| 8 | RFG062008    | END CAP Ø6.25       |
| 9 | RFG062009    | END CAP Ø6.25       |



Snap ring kit Part no. : XB19G0574

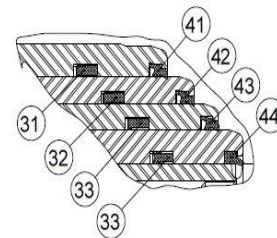
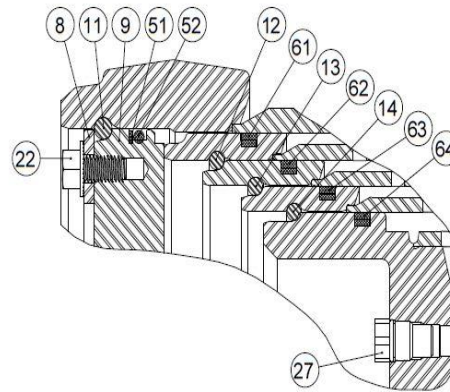
| Item | Description       |
|------|-------------------|
| 11   | SNAP RING Ø6-3/16 |
| 12   | SNAP RING Ø5-1/4  |
| 13   | SNAP RING Ø4-1/2  |
| 14   | SNAP RING Ø3-3/4  |

Hardware kit Part no. : ZX02G0574D

| Item | Description                                     |
|------|---|
| 21   | STOVER NUT Ø1-3/4-12 NF GRADE C                 |
| 22   | SERRATED FLANGE HSS GRADE 5 3/8-16 UNC X 3/4 LG |
| 23   | PROTECTOR                                       |
| 24   | GREASE FITTING STRAIGHT 1/8 NPT                 |
| 25   | ELBOW ADAPTER 90° SAE ORB TO 37° FLARE          |
| 26   | CAP NUT SAE 37° FLARE Ø3/4-16                   |
| 27   | RELIEF VALVE PRESET 3200 PSI (3000-3500 PSI)    |

Seal kit Part no. : UI47G0574D

| Item | Description                 |
|------|-----------------------------|
| 31   | U-CUP Ø6.170 X Ø5.795 X 3/8 |
| 32   | U-CUP Ø5-3/8 X Ø5 X 3/8     |
| 33   | U-CUP Ø4-5/8 X Ø4-1/4 X 3/8 |
| 34   | U-CUP Ø3-7/8 X 3-1/2 X 3/8  |
| 41   | WIPER Ø5.795                |
| 42   | WIPER Ø5                    |
| 43   | WIPER Ø4-1/4                |
| 44   | WIPER Ø3-1/2                |
| 51   | BACKUP RING Ø6-1/8 X Ø5-3/4 |
| 52   | O-RING Ø6-1/8 X Ø5-3/4      |
| 61   | PISTON RING 6-1/16          |
| 62   | PISTON RING 5-1/4           |
| 63   | PISTON RING 4-1/2           |
| 64   | PISTON RING 3-3/4           |



\* See product manual

Subject to change without notice, all rights reserved.