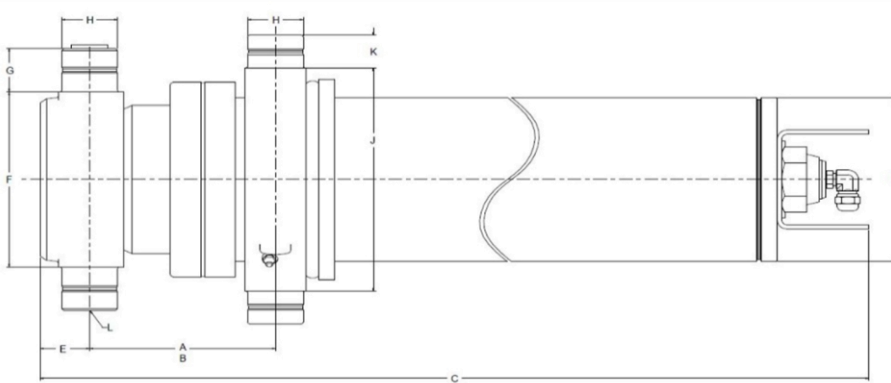


Technical information



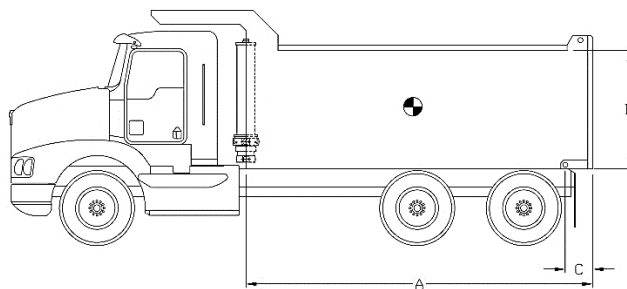
| Dimensions | Imperial | Metric |
|------------|-----------|----------|
| A (stroke) | 159.38 in | 4 048 mm |
| B (closed) | 7.50 in | 191 mm |
| C | 59.50 in | 1 511 mm |
| D | 7.50 in | 191 mm |
| E | 2.00 in | 51 mm |
| F | 8.00 in | 203 mm |
| G | 2.00 in | 51 mm |
| H | 2.25 in | 57 mm |
| J | 10.19 in | 259 mm |
| K | 1.50 in | 38 mm |
| L | SAE-16 | |

| Stage | Effective diameter | | Effective area | | Stroke | |
|-------|--------------------|--------|-----------------------|------------------------|----------|----------|
| 1 | 6.063 in | 154 mm | 28.87 in ² | 18 627 mm ² | 42.25 in | 1 073 mm |
| 2 | 5.250 in | 133 mm | 21.65 in ² | 13 966 mm ² | 42.44 in | 1 078 mm |
| 3 | 4.500 in | 114 mm | 15.90 in ² | 10 261 mm ² | 43.69 in | 1 110 mm |
| 4 | 3.750 in | 95 mm | 11.04 in ² | 7 126 mm ² | 32.00 in | 813 mm |

| Specifications | Imperial | Metric |
|-----------------------------------|----------------|------------------|
| Weight without hydraulic fluid | 454 lb | 206 kg |
| Hydraulic fluid volume | 15.1 gal. (US) | 57 l |
| Maximum working pressure | 2 500 psi | 172 bar |
| Maximum pump flow ext. (retract.) | 40 gpm (7 gpm) | 151 lpm (26 lpm) |
| Cylinder design limit capacity* | 29.6 US tons | 26 853 kg |

| Installation components | Model | Part no. |
|-------------------------|-------------|-------------|
| Block | B-2250 | PB3005003-A |
| Frame | AC-4040 | PF3000014 |
| Hinge | P-200 PEL-T | PP3004010 |

Cylinder capacity



A = Body Length
 B = Body height
 C = Overhang

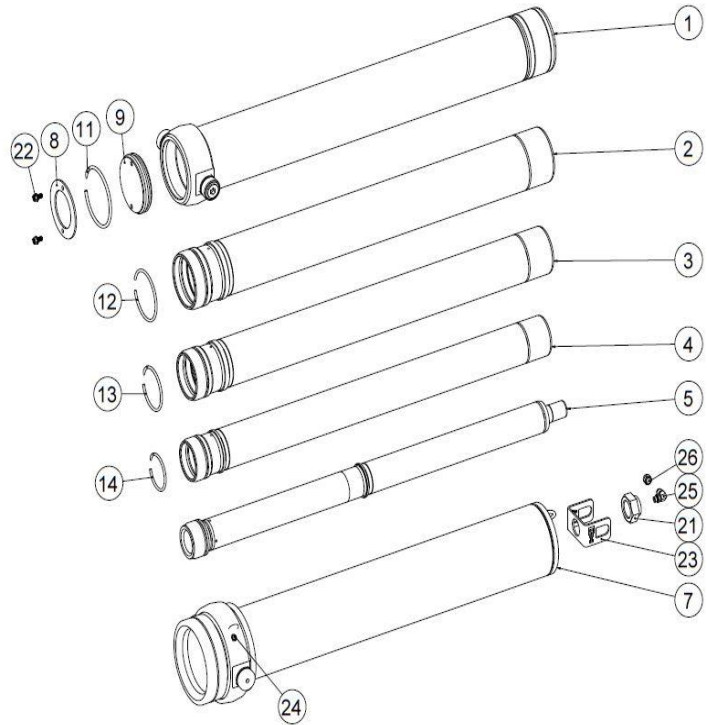
| Note: | Body length | 16.0 ft | | 17.0 ft | | 18.0 ft | |
|---|-------------|--|-------------|-------------|-------------|-------------|-------------|
| Cylinder capacities based on 90% of the maximum working pressure. | Overhang | 0 in | 6 in | 6 in | 12 in | 12 in | 18 in |
| | Dump angle | 49.3° | 51.0° | 47.7° | 49.3° | 46.2° | 47.7° |
| | Body height | Capacities for different box length configuration in US tons at 2000 psi (at 2500 psi) | | | | | |
| For reference only. See www.mailhotindustries.com | 36 in | 28.2 (35.2) | 30.2 (37.7) | 28.5 (35.6) | 30.4 (38.0) | 28.8 (36.0) | 30.7 (38.4) |
| | 48 in | 30.0 (37.4) | 32.4 (40.5) | 30.2 (37.7) | 32.5 (40.6) | 30.4 (38.0) | 32.7 (40.9) |
| | 60 in | 32.0 (40.0) | 34.9 (43.6) | 32.1 (40.1) | 34.9 (43.6) | 32.3 (40.3) | 35.0 (43.7) |

* See product manual

Subject to change without notice, all rights reserved.

| Item | Part no. | Description |
|------|----------|-------------|
|------|----------|-------------|

| | | |
|---|--------------|---------------------|
| 1 | ROVD061018-A | BASE TUBE Ø6.7 |
| 2 | RMGD057173-A | SECTION Ø5.7 |
| 3 | RMGD050172-A | SECTION Ø5 |
| 4 | RMGD042171-A | SECTION Ø4.25 |
| 5 | RNVD032053-A | LAST SECTION Ø3.25 |
| 7 | RK075150-A | COVER TUBE ASSEMBLY |
| 8 | RFG062008 | END CAP Ø6.25 |
| 9 | RFG062009 | END CAP Ø6.25 |



Snap ring kit Part no. : XB19G0574

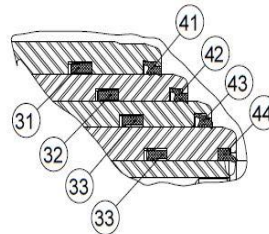
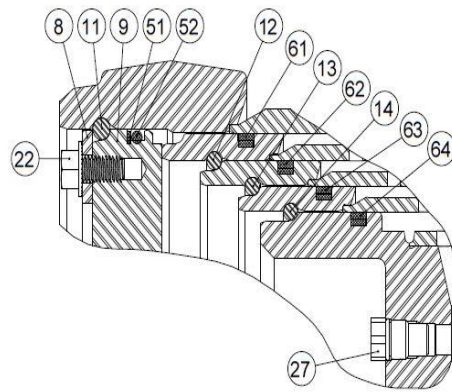
| Item | Description |
|------|-------------------|
| 11 | SNAP RING Ø6-3/16 |
| 12 | SNAP RING Ø5-1/4 |
| 13 | SNAP RING Ø4-1/2 |
| 14 | SNAP RING Ø3-3/4 |

Hardware kit Part no. : ZX02G0574D

| Item | Description |
|------|---|
| 21 | STOVER NUT Ø1-3/4-12 NF GRADE C |
| 22 | SERRATED FLANGE HSS GRADE 5 3/8-16 UNC X 3/4 LG |
| 23 | PROTECTOR |
| 24 | GREASE FITTING STRAIGHT 1/8 NPT |
| 25 | ELBOW ADAPTER 90° SAE ORB TO 37° FLARE |
| 26 | CAP NUT SAE 37° FLARE Ø3/4-16 |
| 27 | RELIEF VALVE PRESET 3200 PSI (3000-3500 PSI) |

Seal kit Part no. : UI47G0574D

| Item | Description |
|------|-----------------------------|
| 31 | U-CUP Ø6.170 X Ø5.795 X 3/8 |
| 32 | U-CUP Ø5-3/8 X Ø5 X 3/8 |
| 33 | U-CUP Ø4-5/8 X Ø4-1/4 X 3/8 |
| 34 | U-CUP Ø3-7/8 X 3-1/2 X 3/8 |
| 41 | WIPER Ø5.795 |
| 42 | WIPER Ø5 |
| 43 | WIPER Ø4-1/4 |
| 44 | WIPER Ø3-1/2 |
| 51 | BACKUP RING Ø6-1/8 X Ø5-3/4 |
| 52 | O-RING Ø6-1/8 X Ø5-3/4 |
| 61 | PISTON RING 6-1/16 |
| 62 | PISTON RING 5-1/4 |
| 63 | PISTON RING 4-1/2 |
| 64 | PISTON RING 3-3/4 |



* See product manual

Subject to change without notice, all rights reserved.